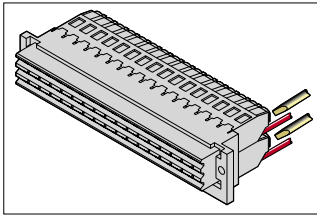


DIN F 32

DIN 41612 connectors - "F" Shape

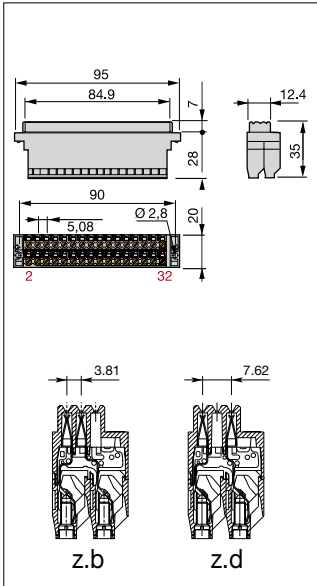


► Expert Range - Axial screw clamp connection



Female connector.

Body : UL94 V0 - PC
Grey



Spacing 5.08 mm .200"

Ordering details

N. Poles	Weight kg	Packaging	L. mm	Type / Order code
				DIN F 32 - z.b
32	0.0450	10	95	1SSA 303 432 R1200
				DIN F 32 - z.d
32	0.0450	10	95	1SSE 303 432 R0100

Technical data

	IEC	UL	CSA	
Wire size	Solid wire	0.2 - 2.5 mm ²	22 - 14 AWG	22 - 14 AWG
	Stranded wire	0.2 - 2.5 mm ²	22 - 14 AWG	22 - 14 AWG
Rated voltage	250 V	300 V	300 V	
Rated current	6 A	6 A	6 A	
Short-circuit current				
Rated wire size / Gauge		14 AWG		
Storage temperature range		-20 ~ +80 °C		
Insulation resistance		$\geq 10^9 \Omega$		
Wire stripping length		8 mm / .315"		
Recommended screwdriver		3.5 mm / .138"		
Recommended torque		0.6 Nm / 5.3 lb.in		
Protection		IP 20 / NEMA 1		

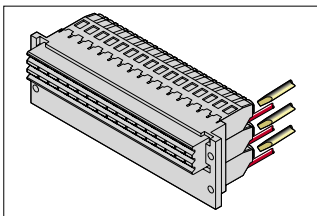


DIN F 48

DIN 41612 connectors - "F" Shape

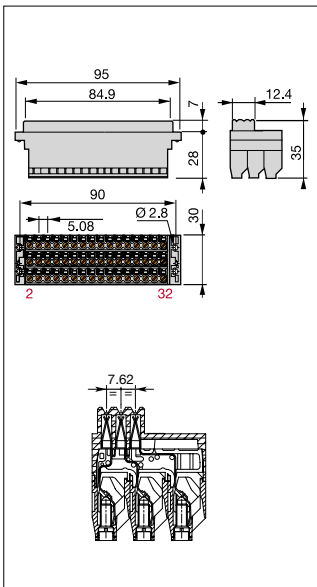


► Expert Range - Axial screw clamp connection



Female connector.

Body : UL94 V0 - PC
Grey



Spacing 5.08 mm .200"

Ordering details

N. Poles	Weight kg	Packaging	L. mm	Type / Order code
				DIN F 48
48	0.0650	10	95	1SSA 303 448 R1200

Technical data

	IEC	UL	CSA	
Wire size	Solid wire	0.2 - 2.5 mm ²	22 - 14 AWG	22 - 14 AWG
	Stranded wire	0.2 - 2.5 mm ²	22 - 14 AWG	22 - 14 AWG
Rated voltage	250 V	300 V	300 V	
Rated current	6 A	6 A	6 A	
Short-circuit current				
Rated wire size / Gauge		14 AWG		
Storage temperature range		-20 ~ +80 °C		
Insulation resistance		$\geq 10^9 \Omega$		
Wire stripping length		8 mm / .315"		
Recommended screwdriver		3.5 mm / .138"		
Recommended torque		0.6 Nm / 5.3 lb.in		
Protection		IP 20 / NEMA 1		

